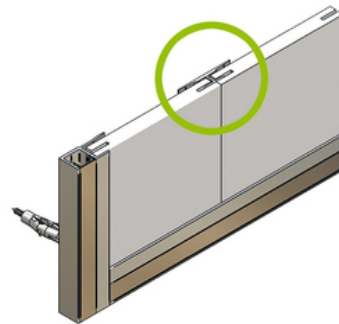


MULTIWALL Large dimensions boards



Ideal for creating walls to write intensively, display and project in a brainstorming room. The MULTIWALL offers a huge continuous surface that can measure up to 3 m in height and 12 m in width. Magnetic, we can display large documents (A0 format, storyboards, posters, photos etc ...) with magnets.



Benefits

LARGE DIMENSIONS: A surface measuring up to 3 m high and 12 m wide and can cover all walls from floor to ceiling in a brainstorming room.

A CONTINUOUS WRITING SURFACE: Panels bonded onto a high density MDF core and cut with a very high pressure water jet in order to have perfectly smooth edges that can be juxtaposed without any writing breaking.

ENVIRONMENTALLY-FRIENDLY AND SUSTAINABLE: Eco-friendly materials such as the PEFC certified substrate and e3 enamel surface, guaranteed for life* and 99% recyclable, which offers greater resistance to scratches, bacteria and chemicals. *Under normal conditions of use.

AVAILABLE IN MARKER OR PROJECTION WHITE AND CHALK GREEN: Marker or projection white for writing with markers and projecting, chalk green for writing with chalk. Check out our guide.

MAGNETIC SURFACE: To display using magnets.

Specifications

e3 enamelled steel surface vitrified at 800°C in marker white.
Backing made from high density chipboard (12 mm), certified to PEFC

Counterbalancing using an aluminium sheet which protects the panels from deformation due to humidity.

Bonded using polyurethane glue with absolutely no VOCs.

Frame which unites all the panels made from smooth anodized aluminium.

Certifications & warranty

Standard warranty: Board: 2 years / Surface: for life.

The product is certified to EN ISO 28762 et EN14334.

The chipboard is certified to PEFC.

This product is manufactured in a French factory which is certified to ISO 9001, OHSAS 18001 and ISO 14001.

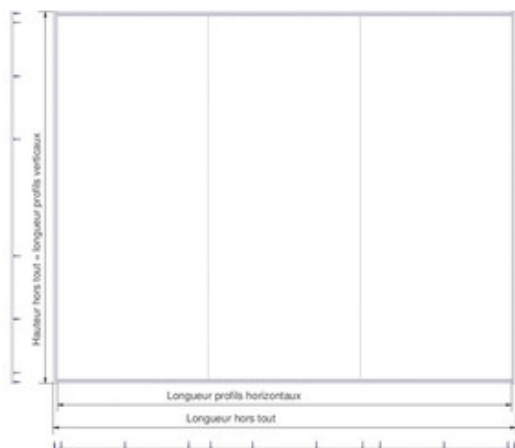
M1 fire rating.

EN ISO 28762

EN14434



Technical drawing



Dimensions & weight

Ref.	Model	Material / Color	OAH mm	OAW mm	OAD mm	Useful H mm	Useful W mm	Net weight (kg)	Gross weight (kg)	Type of unit packaging
6900121	H200XL200 cm	marker white	2000	2000	18	1960	1960	57	63	pallet
6900291	H200XL300 cm	marker white	2000	2999	18	1960	2959	84	90	pallet
6900400	H200xL200 cm	marker white	2014	1966	24	1950		46		carton
6900401	H200xL300 cm	marker white	2014	2943	24	1950		69		carton
6900402	H200xL400 cm	marker white	2014	3920	24	1950		92		carton
6900403	H200xL500 cm	marker white	2014	4897	24	1950		115		carton
6900676	H200XL400 cm	marker white	2000	3998	18	1960	3958	114	120	pallet
6900677	H200XL500 cm	marker white	2000	4998	18	1960	4958	141	146	pallet
6900678	H200XL600 cm	marker white	2000	5998	18	1960	5958	168	174	pallet

HORIZON Large dimensions boards



Large width board easy to receive and install.

Classrooms, meetings and trainings rooms as well as laboratories and think tanks will finally have their large writing & displaying wall surfaces. the HORIZON range avoids the material and financial restrictions (tight stairway to meeting rooms or small budgets) and extends the communication spaces by providing big sizes boards up to 8 meters wide.



Benefits

LARGE WIDTH: A surface without any writing break measuring till 8m length on 120cm height.

EASY TO RECEIVE AND INSTALL: The delivery and installation issues related to big sizes boards made of a single panel were a real restriction to their use in meeting rooms. Indeed the transportation per unit of boards bigger than 4m results in 70 per cent of cases in damages against 0.5 per cent for boards smaller than 2m. Packed in several parcels and easy to assemble thanks to a clever and aesthetic system, the HORIZON board is composed of 2 panels in e3 ceramicsteel which are juxtaposed without profile.

ENVIRONMENTALLY-FRIENDLY AND SUSTAINABLE: Eco-friendly materials such as the PEFC certified substrate and e3 enamel surface, guaranteed for life* and 99% recyclable, which offers greater resistance to scratches, bacteria and chemicals. *Under normal conditions of use.

AVAILABLE IN MARKER OR PROJECTION WHITE AND CHALK GREEN: Marker or projection white for writing with markers and projecting, chalk green for writing with chalk. Check out our guide.

MAGNETIC SURFACE: To display using magnets.

HOOKS TO HOLD MAPS/PAPER PADS AND PEN TRAY.

Specifications

Set of 2 symmetrical and joinable panels to be placed in a retaining profile which is also a pen tray along the entire length. The junction without any writing break is reinforced by 2 magnetic plates to be set up at the back of the panels. The top profile allows to wall mount the panels and it includes hooks to hold maps.

Rounded protective end caps in grey plastic for user safety.

Enamelled steel surface vitrified at 800°C available in marker or projection white and chalk green.

Backing made from high density chipboard (8 mm), certified to PEFC, recyclable to 99%.

Counterbalancing with galvanized steel which maintain absolute flatness of the panel over time.

Bonded using polyurethane glue with absolutely no VOCs.

Frame made from smooth anodised aluminium.

Certifications & warranty

Standard warranty: Board: 2 years / Surface: for life.

The product is certified to EN ISO 28762 et EN14334.

The chipboard is certified to PEFC.

This product is manufactured in a French factory which is certified to ISO 9001, OHSAS 18001 and ISO 14001.

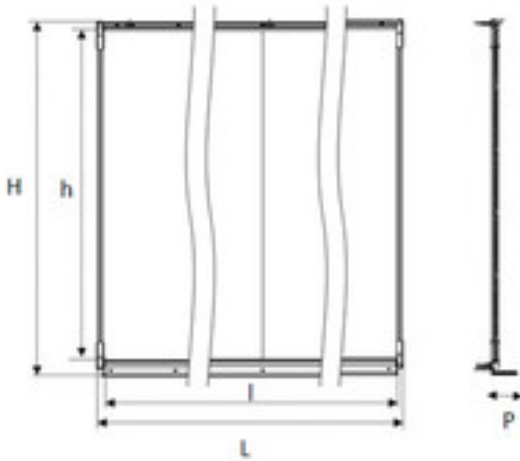
M1 fire rating.

EN ISO 28762

EN14434



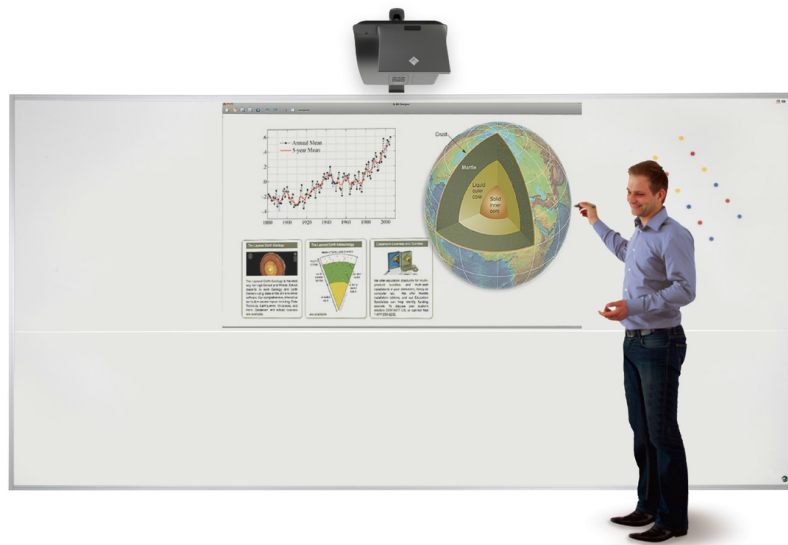
Technical drawing



Dimensions & weight

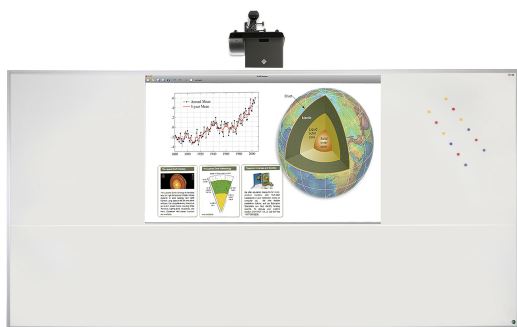
Ref.	Model	Material / Color	OAH mm	OAW mm	OAD mm	Useful H mm	Useful W mm	Net weight (kg)	Gross weight (kg)	Type of unit packaging
6900817	H120xL400 cm	marker white	1234	3987	76	1162	3948	59		carton
6900818	H120xL500 cm	marker white	1234	4987	76	1162	4948	78		carton
6900819	H120xL600 cm	marker white	1234	5984	76	1162	5948	90		carton
6900821	H120xL400 cm	chalk green	1234	3987	76	1162	3948	59		carton
6900822	H120xL500 cm	chalk green	1234	4987	76	1162	4948	78		carton
6900823	H120xL600 cm	chalk green	1234	5984	76	1162	5948	90		carton
6900825	H120xL400 cm	projection white	1234	3987	76	1162	3948	59		carton
6900826	H120xL500 cm	projection white	1234	4987	76	1162	4948	78		carton
6900827	H120xL600 cm	projection white	1234	5984	76	1162	5948	90		carton

EXPRESSION HORIZONTAL Large dimensions boards



Designed for classrooms, meeting and training rooms that want large wall surfaces for writing, displaying and projecting that are accessible to everyone but have a tight budget.

The EXPRESSION HORIZONTAL wall consists of a high and a low module that are juxtaposed horizontally to form a single panel that can cover an entire wall. It allows an image to be projected onto the upper module without being disturbed by a vertical junction profile.



Benefits

LARGE DIMENSIONS: Juxtapose two modules, top and bottom horizontally to cover a wall over a height of 2 m and a width of 2 to 4 m.

PROJECTION : Projection sur le module haut sans être gêné par un profil de jonction vertical.

ENVIRONMENTALLY-FRIENDLY AND SUSTAINABLE: Eco-friendly materials such as the e3 enamel surface, guaranteed for life* and 99% recyclable, which offers greater resistance to scratches, bacteria and chemicals. *Under normal conditions of use.

AVAILABLE IN MARKER OR PROJECTION WHITE AND CHALK GREEN: Marker or projection white for writing with markers and projecting, chalk green for writing with chalk. Check out our guide.

MAGNETIC SURFACE: To display using magnets.

Specifications

e3 enamelled steel surface vitrified at 800°C.
 Discreet 7 mm junction profile in white lacquered aluminium.
 Backing made from high density chipboard (8 mm), certified to PEFC, recyclable to 99%.
 Counterbalancing with galvanized steel which maintain absolute flatness of the panel over time.
 Bonded using polyurethane glue with absolutely no VOCs.

Certifications & warranty

Standard warranty: Tableau : 2 ans / Surface : à vie.

The product is certified to EN ISO 28762 et EN14334.
 The chipboard is certified to PEFC.

This product is manufactured in a French factory which is certified to ISO 9001, OHSAS 18001 and ISO 14001.

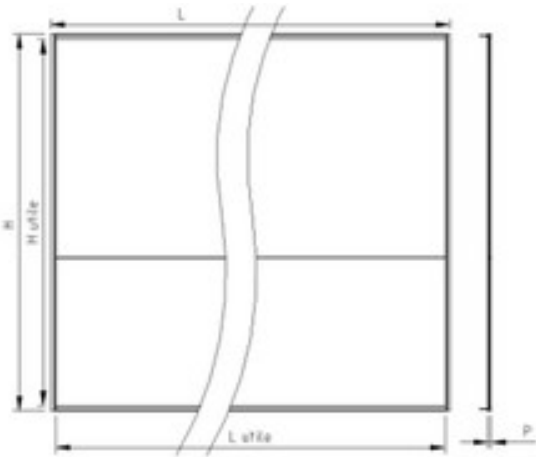
M1 fire rating.

EN ISO 28762

EN14434



Technical drawing



Dimensions & weight

Ref.	Model	Material / Color	OAH mm	OAW mm	OAD mm	Useful H mm	Useful W mm	Net weight (kg)	Gross weight (kg)	Type of unit packaging
6900932	H200xL300 cm	marker white	2016	3038	17	1960	2982	54		carton
6900933	H200xL400 cm	marker white	2016	4038	17	1960	3982	81		carton
6900934	H200xL200 cm	marker white	2016	2038	17	1960	1982	100		carton